

carevix™

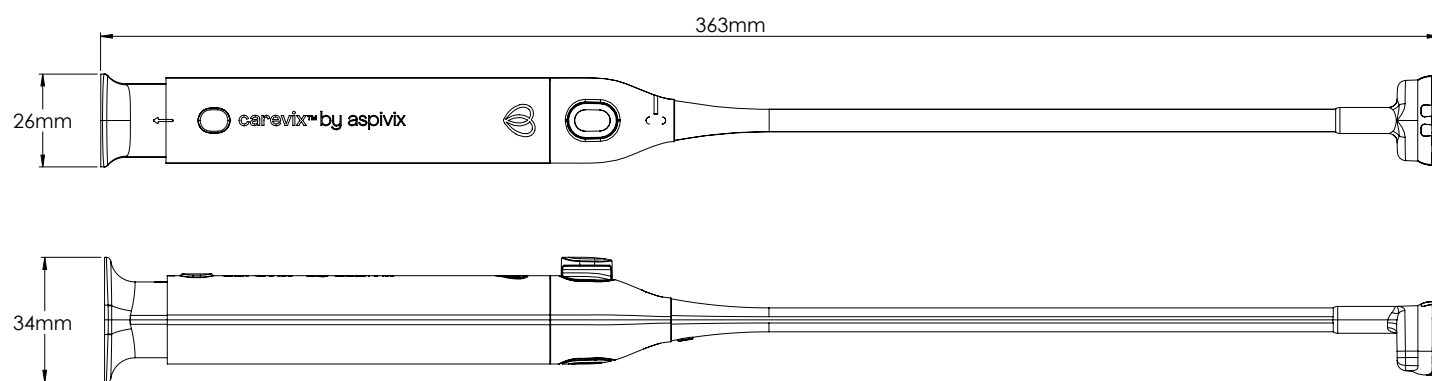
Suction Cervical Stabilizer



Technical Data Sheet

General Information

Sterile, disposable, single-use, manual device designed for atraumatic snaring, grasping, holding and manipulation of cervical tissue during transcervical procedures.



Device Characteristics

Size (Device Without Packaging)

Device Dimensions (Assembled)	363mm X 26mm X 34mm
Device Weight (Without Packaging)	41g

Packaging (Device With Packaging)

Device Per Package	1 unit
Components In The Packaging	2 Components
Packaging Dimensions	330mm X 80mm X 30mm
Device Weight (With Packaging)	81g

Materials

Thermoplastic and thermoplastic elastomer

Shelf-Life

3 Years



Brief Statement:

See Instructions for Use for detailed information regarding directions for use and device operations, indications, contraindications, warnings, precautions, and potential adverse events. For further information, contact Aspivix at contact@aspivix.com and/or consult the Aspivix website at www.aspivix.com.



eifu.aspivix.com
+800 135 79 135

Copyrights ©2023, Aspivix SA. All Rights Reserved. www.aspivix.com

ASPIVIX SA

Global Headquarters
Route de la Corniche 8
1066 – Epalinges
Switzerland
www.aspivix.com



Visit Us

P03-554-001 Rev B ©2023 Aspivix SA. Specifications are subject to change without prior notice. Aspivix, and Carevix are trademarks or registered trademarks of Aspivix SA and/or its subsidiaries. Licensed material is being used for illustrative purposes only. Any person depicted in the licensed material is a model.

